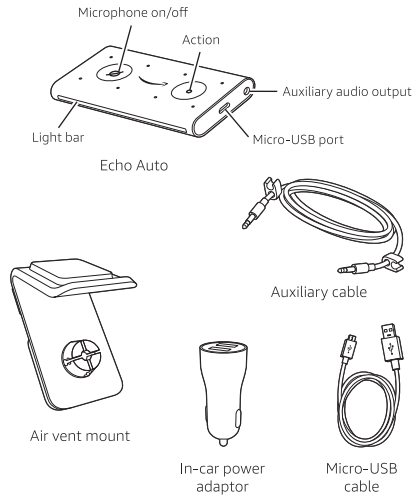
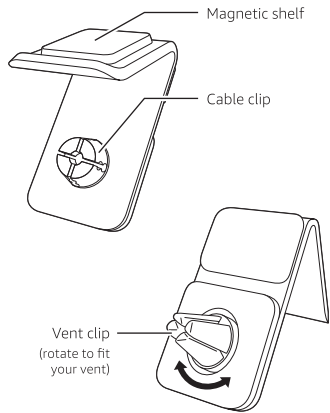


What's in the box



Getting to know your Echo Auto air vent mount

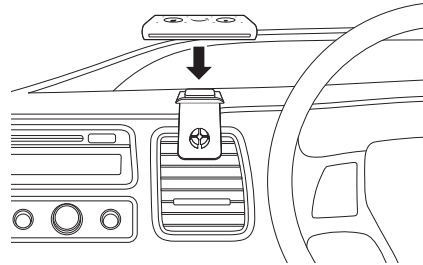


1. Attach your mount to the air vent

Position the mount in the top slot to keep Echo Auto above the airflow. Rotate the vent clip to fit tightly on the vent blade.

2. Attach your Echo Auto to the mount

Keep the Echo Auto positioned horizontally with the LED light bar facing the driver.



3. Download the Amazon Alexa app

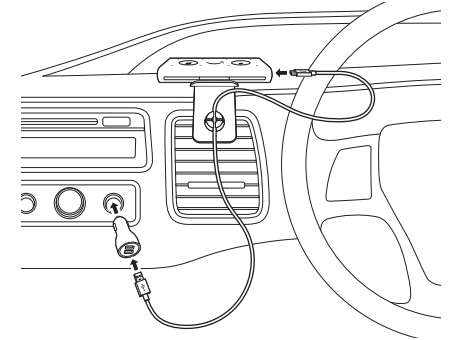
Download the latest version of the Alexa app from an app store.

The app helps you get more out of your Echo Auto. It's where you set up calling and messaging, and manage music, lists, settings and news.

4. Plug in your Echo Auto

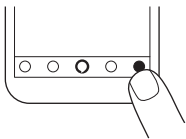
Connect one end of the included micro-USB cable into the Echo Auto micro-USB port. Plug the other end of the cable into your car's 12 V socket (using the included in-car power adaptor). You can also use your car's built-in USB port, if available. Route the cable(s) through the cable clip to hold them securely.

Turn on your car to power on the device. You will see a sweeping orange light and Alexa will greet you. Your Echo Auto is now ready for setup. If you don't see a sweeping orange light after 1 minute, hold down the Action button for 8 seconds.



5. Set up your Echo Auto using the Alexa app

Tap the Devices icon in the bottom right of the Alexa app, then follow the instructions to set up a new device.



Echo Auto uses your smartphone data plan and the Alexa app for connectivity and other features. Network provider charges may apply. Please consult your network provider for information on any charges and limitations that apply to your plan.

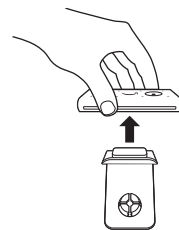
For troubleshooting and more information, go to Help & Feedback in the Alexa app.

Talking to your Echo Auto

To get the attention of your Echo Auto, simply say "Alexa". See the included Things to Try card to help you get started.

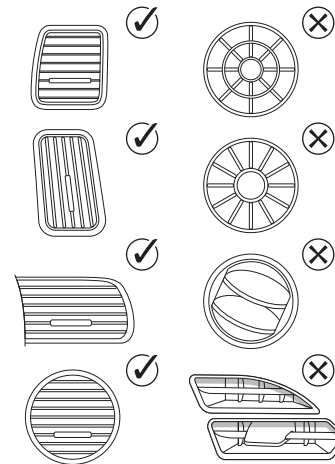
Storing your Echo Auto

If you want to store your Echo Auto, unplug the cables and remove the device from the air vent mount as shown below.



If your car is going to be parked for an extended period of time, we recommend that you unplug the in-car power adaptor.

Echo Auto air vent mount compatibility



Designed to protect your privacy

Amazon designs Alexa and Echo devices with multiple layers of privacy protection. From microphone controls to the ability to view and delete your voice recordings, you have transparency and control over your Alexa experience. To learn more about how Amazon protects your privacy, visit www.amazon.co.uk/alexaprivacy.

Give us your feedback

Alexa will improve over time, with new features and ways to get things done. We want to hear about your experiences. Use the Alexa app to send us feedback or visit www.amazon.com/devicesupport.